

ADDENDUM NUMBER 1

DATE: December 3, 2021

PROJECT: Douglas County Judicial Law Enforcement Center
Jail Video Surveillance System Upgrade Project

SUBJECT: Addendum Number 1

FROM: Brian Cuneo, PK Electrical, Inc.

ATTACHMENTS: Revised Drawings TS0.2, TS0.3

BIDDERS NOTES:

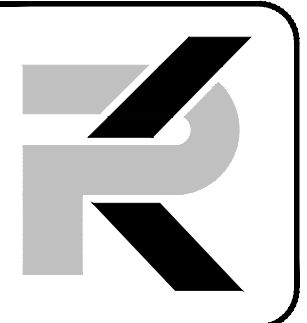
1. The Contractor shall acknowledge receipt of this Addendum on the Bid Proposal Form. All terms and provisions of the Bid Documents shall apply to this Addendum.

ADDENDUM ITEMS:

- ITEM #1** **D/TS0.2 – Revise Control Room Workstations:** Revise specification for qty (4) control room workstations to reflect updated part numbers.
- ITEM #2** **E/TS0.2 – Revise Network Switches:** Revise specification for qty (8) network switches from Cisco to HP.
- ITEM #3** **D/TS0.3– Delete Video Intercom Interface to Door Access Control System:** Delete Aiphone relay module and connection to door access control system.
- ITEM #4** **Spec Section 27 11 00 – 2.10 - Delete PDU's:** Deleted rack mounted power distribution units (PDU's) called out in Specification Section 27 11 00 2.10.

END OF ADDENDUM NUMBER 1

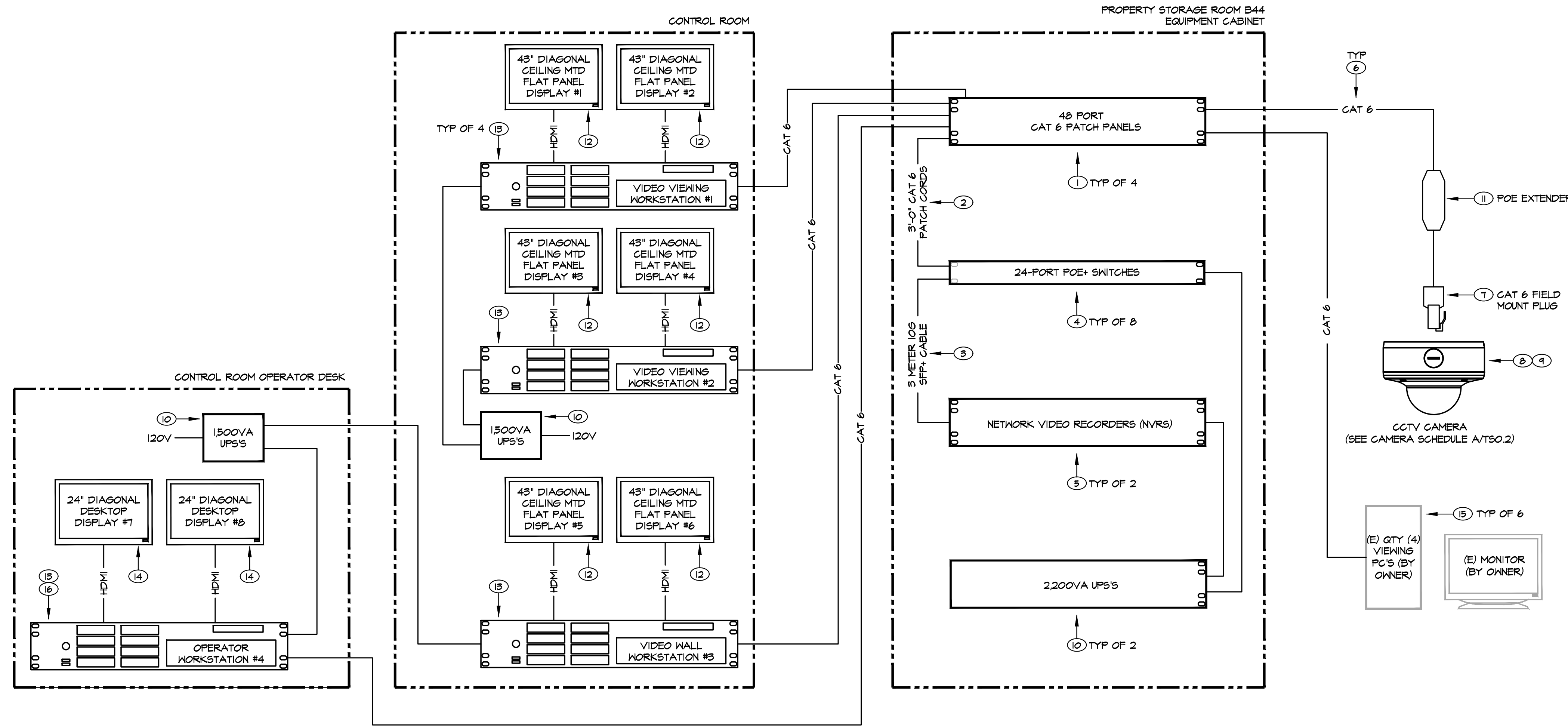
VIDEO SURVEILLANCE CAMERA SCHEDULE																						
CAM NO	LOCATION	CAMERA TYPE	INDOOR / OUTDOOR	MP	IR	POE	DOVE COVER	CLG MFC	MFG	CAMERA PART #	DOVE COVER	MOUNT PART NUMBER	IR RING	POE+ INJECTOR	CEILING MICROPHONE	CAMERA COVER	SOFTWARE MAINTENANCE AGREEMENT	MOUNTING SURFACE	MOUNT TYPE	MOUNTING SURFACE	MOUNTING HEIGHT	NOTES
1	NORTHWEST PARKING LOT	FIXED DOME	OUTDOOR	8	-	15W POE	CLEAR	-	AVIGILON	8.0C-H5A-DP1	HA-0P-CLER1	HA-MT-WALL1	-	-	-	-	ACC-ENT	ACC-ENT-SMART-SYR	CEILING	GOOSENECK	+12'-0" AFF	
2	VEHICLE SALLY PORT	FIXED DOME	INDOOR	4	-	15W POE	SMOKED	-	AVIGILON	4.0C-H5A-D1	HA-0P-SMOK1	-	-	-	-	-	ACC-ENT	ACC-ENT-SMART-SYR	WALL	SURFACE	+12'-0" AFF	
3	VEHICLE SALLY PORT EXT	4-SENSOR FIXED DOME	OUTDOOR	4 x 3	YES	60W POE++	CLEAR	-	AVIGILON	12C-H4A-MH-360	HA-MH-DO-COVR1	-	HA-MH-AD-IRL1	POE-IN2-60W-NA	-	-	ACC-ENT	ACC-ENT-SMART-SYR	CEILING	SURFACE	+12'-0" AFF	
4	NORTH ENTRY	FIXED DOME	OUTDOOR	2	-	15W POE	CLEAR	-	AVIGILON	2.0C-H5A-D1-R	HA-0P-CLER1	-	-	-	-	-	ACC-ENT	ACC-ENT-SMART-SYR	CEILING	SURFACE	+12'-0" AFF	
5	NORTHEAST PARKING LOT	4-SENSOR FIXED DOME	OUTDOOR	4 x 3	YES	60W POE++	CLEAR	-	AVIGILON	12C-H4A-MH-360	HA-MH-DO-COVR1	-	HA-MH-AD-IRL1	POE-IN2-60W-NA	-	-	ACC-ENT	ACC-ENT-SMART-SYR	CEILING	SURFACE	+12'-0" AFF	
6	WEIGHT ROOM	FIXED DOME	INDOOR	2	-	15W POE	SMOKED	-	AVIGILON	2.0C-H5A-D1	HA-0P-SMOK1	-	-	-	-	-	ACC-ENT	ACC-ENT-SMART-SYR	CEILING	SURFACE	+12'-0" AFF	
7	ARMORY	FIXED DOME	INDOOR	2	-	15W POE	SMOKED	-	AVIGILON	2.0C-H5A-D1	HA-0P-SMOK1	-	-	-	-	-	ACC-ENT	ACC-ENT-SMART-SYR	CEILING	SURFACE	+12'-0" AFF	
8	WEST SALLY PORT	FIXED DOME	INDOOR	2	-	15W POE	SMOKED	-	AVIGILON	2.0C-H5A-D1	HA-0P-SMOK1	-	-	-	-	-	ACC-ENT	ACC-ENT-SMART-SYR	CEILING	SURFACE	+12'-0" AFF	
9	HOLDING CELL #1	CORNER ANTI-LIGATURE	INDOOR	3	YES	15W POE	-	-	AVIGILON	3.0C-H5A-CR1-RS-SS	-	-	-	-	-	-	ACC-ENT	ACC-ENT-SMART-SYR	CORNER	SURFACE	+12'-0" AFF	
10	PROCESSING	FIXED DOME	INDOOR	4	-	15W POE	SMOKED	YES	AVIGILON	2.0C-H5A-D1	HA-0P-SMOK1	-	-	-	ACC-MC + CMAC-AV101	-	ACC-ENT	ACC-ENT-SMART-SYR	CEILING	SURFACE	+12'-0" AFF	
11	VEHICLE SALLY PORT	FIXED DOME	INDOOR	4	-	15W POE	SMOKED	-	AVIGILON	2.0C-H5A-D1	HA-0P-SMOK1	-	-	-	-	-	ACC-ENT	ACC-ENT-SMART-SYR	CEILING	SURFACE	+12'-0" AFF	
12	NORTHWEST PARKING LOT	FIXED DOME	OUTDOOR	8	-	15W POE	CLEAR	-	AVIGILON	8.0C-H5A-DP1	HA-0P-CLER1	-	-	-	-	-	ACC-ENT	ACC-ENT-SMART-SYR	WALL	GOOSENECK	+12'-0" AFF	
13	VEHICLE SALLY PORT DRIVEWAY	4-SENSOR FIXED DOME	OUTDOOR	4 x 3	YES	60W POE++	CLEAR	-	AVIGILON	12C-H4A-MH-360	HA-MH-DO-COVR1	-	HA-MH-AD-IRL1	POE-IN2-60W-NA	-	-	ACC-ENT	ACC-ENT-SMART-SYR	LIGHT POLE	POLE MOUNT	+12'-0" AFF	
14	VEHICLE SALLY PORT DRIVEWAY	FIXED DOME	OUTDOOR	2	YES	15W POE	CLEAR	-	AVIGILON	2.0C-H5A-D1-R	HA-0P-CLER1	-	-	-	-	-	ACC-ENT	ACC-ENT-SMART-SYR	CEILING	SURFACE	+12'-0" AFF	
15	VEHICLE SALLY PORT DRIVEWAY	FIXED DOME	OUTDOOR	2	YES	15W POE	CLEAR	-	AVIGILON	2.0C-H5A-D1-R	HA-0P-CLER1	-	-	-	-	-	ACC-ENT	ACC-ENT-SMART-SYR	CEILING	SURFACE	+12'-0" AFF	
16	MED ROOM	FIXED DOME	INDOOR	2	YES	15W POE	CLEAR	-	AVIGILON	2.0C-H5A-D1	HA-0P-SMOK1	-	-	-	-	-	ACC-ENT	ACC-ENT-SMART-SYR	CEILING	SURFACE	+12'-0" AFF	
17	DEPUTY WORK AREA	FIXED DOME	INDOOR	2	-	15W POE	SMOKED	-	AVIGILON	2.0C-H5A-D1	HA-0P-SMOK1	-	-	-	-	-	ACC-ENT	ACC-ENT-SMART-SYR	CEILING	SURFACE	+12'-0" AFF	
18	HOLDING CELL #2	CORNER ANTI-LIGATURE	INDOOR	3	YES	15W POE	-	-	AVIGILON	3.0C-H5A-CR1-RS-SS	-	-	-	-	-	-	ACC-ENT	ACC-ENT-SMART-SYR	CORNER	SURFACE	+12'-0" AFF	
19	HOLDING CELL #3	CORNER ANTI-LIGATURE	INDOOR	3	YES	15W POE	-	-	AVIGILON	3.0C-H5A-CR1-RS-SS	-	-	-	-	-	-	ACC-ENT	ACC-ENT-SMART-SYR	CORNER	SURFACE	+12'-0" AFF	
20	HOLDING CELL #4	CORNER ANTI-LIGATURE	INDOOR	3	YES	15W POE	-	-	AVIGILON	3.0C-H5A-CR1-RS-SS	-	-	-	-	-	-	ACC-ENT	ACC-ENT-SMART-SYR	CORNER	SURFACE	+12'-0" AFF	
21	HOLDING CELL #5	CORNER ANTI-LIGATURE	INDOOR	3	YES	15W POE	-	-	AVIGILON	3.0C-H5A-CR1-RS-SS	-	-	-	-	-	-	ACC-ENT	ACC-ENT-SMART-SYR	CORNER	SURFACE	+12'-0" AFF	
22	HOLDING CELL #6	CORNER ANTI-LIGATURE	INDOOR	3	YES	15W POE	-	-	AVIGILON	3.0C-H5A-CR1-RS-SS	-	-	-	-	-	-	ACC-ENT	ACC-ENT-SMART-SYR	CORNER	SURFACE	+12'-0" AFF	
23	HOLDING CELL #7	CORNER ANTI-LIGATURE	INDOOR	3	YES	15W POE	-	-	AVIGILON	3.0C-H5A-CR1-RS-SS	-	-	-	-	-	-	ACC-ENT	ACC-ENT-SMART-SYR	CORNER	SURFACE	+12'-0" AFF	
24	HOLDING CELL #8	CORNER ANTI-LIGATURE	INDOOR	3	YES	15W POE	-	-	AVIGILON	3.0C-H5A-CR1-RS-SS	-	-	-	-	-	-	ACC-ENT	ACC-ENT-SMART-SYR	CORNER	SURFACE	+12'-0" AFF	
25	DEPUTY WORK AREA	FIXED DOME	INDOOR	2	-	15W POE	SMOKED	-	AVIGILON	2.0C-H5A-D1	HA-0P-SMOK1	-	-	-	-	-	ACC-ENT	ACC-ENT-SMART-SYR	CEILING	SURFACE	+12'-0" AFF	
26	HOLDING CELL	CORNER ANTI-LIGATURE	INDOOR	3	YES	15W POE	-	-	AVIGILON	3.0C-H5A-CR1-RS-SS	-	-	-	-	-	-	ACC-ENT	ACC-ENT-SMART-SYR	CORNER	SURFACE	+12'-0" AFF	
27	HOLDING CELL	CORNER ANTI-LIGATURE	INDOOR	3	YES	15W POE	-	-	AVIGILON	3.0C-H5A-CR1-RS-SS	-	-	-	-	-	-	ACC-ENT	ACC-ENT-SMART-SYR	CORNER	SURFACE	+12'-0" AFF	
28	HOLDING CELL	CORNER ANTI-LIGATURE	INDOOR	3	YES	15W POE	-	-	AVIGILON	3.0C-H5A-CR1-RS-SS	-	-	-	-	-	-	ACC-ENT	ACC-ENT-SMART-SYR	CORNER	SURFACE	+12'-0" AFF	
29	HOLDING CELL	CORNER ANTI-LIGATURE	INDOOR	3	YES	15W POE	-	-	AVIGILON	3.0C-H5A-CR1-RS-SS	-	-	-	-	-	-	ACC-ENT	ACC-ENT-SMART-SYR	CORNER	SURFACE	+12'-0" AFF	
30	E-CELL BLOCK - DAY RM #49	FIXED DOME	INDOOR	4	-	15W POE	SMOKED	-	AVIGILON	4.0C-H5A-D1	HA-0P-SMOK1	-	-	-	-	-	ACC-ENT	ACC-ENT-SMART-SYR	WALL	SURFACE	+12'-0" AFF	
31	PROPERTY STORAGE	FIXED DOME	INDOOR	2	-	15W POE	SMOKED	-	AVIGILON	2.0C-H5A-D1	HA-0P-SMOK1	-	-	-	-	-	ACC-ENT	ACC-ENT-SMART-SYR	CEILING	SURFACE	+12'-0" AFF	
32	E-CELL BLOCK - DAY RM #49	FIXED DOME	INDOOR	4	-	15W POE	SMOKED	-	AVIGILON	4.0C-H5A-D1	HA-0P-SMOK1	-	-	-	-	-	ACC-ENT	ACC-ENT-SMART-SYR	WALL	SURFACE	+12'-0" AFF	
33	WOMEN'S WASH CORRIDOR #49	FIXED DOME	INDOOR	4	-	15W POE	SMOKED	-	AVIGILON	4.0C-H5A-D1	HA-0P-SMOK1	-	-	-	-	-	ACC-ENT	ACC-ENT-SMART-SYR	CEILING	SURFACE	+12'-0" AFF	
34	F-CELL BLOCK - DAY RM #55	FIXED DOME	INDOOR	4	-	15W POE	SMOKED	-	AVIGILON	4.0C-H5A-D1	HA-0P-SMOK1	-	-	-	-	-	ACC-ENT	ACC-ENT-SMART-SYR	WALL	SURFACE	+12'-0" AFF	
35	OUTSIDE CONTROL ROOM	3-SENSOR FIXED DOME	INDOOR	3x3	-	30W POE+	SMOKED	-	AVIGILON	9C-H4A-3M-180	HA-MH-DO-COVR1-SMOK1	-	-	-	-	-	ACC-ENT	ACC-ENT-SMART-SYR	CEILING	SURFACE	+12'-0" AFF	
36	OUTSIDE CONTROL ROOM	3-SENSOR FIXED DOME	INDOOR	3x3	-	30W POE+	SMOKED	-	AVIGILON	9C-H4A-3M-180	HA-MH-DO-COVR1-SMOK1	-	-	-	-	-	ACC-ENT	ACC-ENT-SMART-SYR	CEILING	SURFACE	+12'-0" AFF	
37	HOLDING CELL	CORNER ANTI-LIGATURE	INDOOR	3	YES	15W POE	-	-	AVIGILON	3.0C-H5A-CR1-RS-SS	-	-	-	-	-	-	ACC-ENT	ACC-ENT-SMART-SYR	CORNER	SURFACE	+12'-0" AFF	
38	HOLDING CELL	CORNER ANTI-LIGATURE	INDOOR	3	YES	15W POE	-	-	AVIGILON	3.0C-H5A-CR1-RS-SS	-	-	-	-	-	-	ACC-ENT	ACC-ENT-SMART-SYR	CORNER	SURFACE	+12'-0" AFF	
39	HOLDING CELL	CORNER ANTI-LIGATURE	INDOOR	3	YES	15W POE	-	-	AVIGILON	3.0C-H5A-CR1-RS-SS	-	-	-	-	-	-	ACC-ENT	ACC-ENT-SMART-SYR	CORNER	SURFACE	+12'-0" AFF	
40	HOLDING CELL	CORNER ANTI-LIGATURE	INDOOR	3	YES	15W POE	-	-	AVIGILON	3.0C-H5A-CR1-RS-SS	-	-	-	-	-	-	ACC-ENT	ACC-ENT-SMART-SYR	CORNER	SURFACE	+12'-0" AFF	
41	HOLDING CELL	CORNER ANTI-LIGATURE	INDOOR	3	YES	15W POE	-	-	AVIGILON	3.0C-H5A-CR1-RS-SS	-	-	-	-	-	-	ACC-ENT	ACC-ENT-SMART-SYR	CORNER	SURFACE	+12'-0" AFF	
42	HOLDING CELL	CORNER ANTI-LIGATURE	INDOOR	3	YES	15W POE	-	-	AVIGILON	3.0C-H5A-CR1-RS-SS	-	-	-	-	-	-	ACC-ENT	ACC-ENT-SMART-SYR	CORNER	SURFACE	+12'-0" AFF	
43	HOLDING CELL	CORNER ANTI-LIGATURE	INDOOR	3	YES	15W POE	-	-	AVIGILON	3.0C-H5A-CR1-RS-SS	-	-	-	-	-	-	ACC-ENT	ACC-ENT-SMART-SYR	CORNER	SURFACE	+12'-0" AFF	
44	HOLDING CELL	CORNER ANTI-LIGATURE	INDOOR	3	YES	15W POE	-	-	AVIGILON	3.0C-H5A-CR1-RS-SS	-	-	-	-	-	-	ACC-ENT	ACC-ENT-SMART-SYR	CORNER	SURFACE	+12'-0" AFF	
45	D-CELL BLOCK - DAY RM #27	FIXED DOME	INDOOR	4	-	15W POE	SMOKED	-	AVIGILON	4.0C-H5A-D1	HA-0P-SMOK1	-	-	-	-	-	ACC-ENT	ACC-ENT-SMART-SYR	WALL	SURFACE	+12'-0" AFF	
46	B-CELL BLOCK - DAY RM #35	FIXED DOME	INDOOR	4	-	15W POE	SMOKED	-	AVIGILON	4.0C-H5A-D1	HA-0P-SMOK1	-	-	-	-	-	ACC-ENT	ACC-ENT-SMART-SYR	WALL	SURFACE	+12'-0" AFF	
47	B-CELL BLOCK - DAY RM #35	FIXED DOME	INDOOR	4	-	15W POE	SMOKED	-	AVIGILON	4.0C-H5A-D1	HA-0P-SMOK1	-	-	-	-	-	ACC-ENT	ACC-ENT-SMART-SYR	WALL	SURFACE	+12'-0" AFF	
48	D-CELL BLOCK - DAY RM #27	FIXED DOME	INDOOR	4	-	15W POE	SMOKED	-	AVIGILON	4.0C-H5A-D1	HA-0P-SMOK1	-	-	-	-	-	ACC-ENT	ACC-ENT-SMART-SYR	WALL	SURFACE	+12'-0" AFF	
49	MEN'S WASH CORRIDOR #29	FIXED DOME	INDOOR	4	-	15W POE	SMOKED	-	AVIGILON	4.0C-H5A-D1	HA-0P-SMOK1	-	-	-	-	-	ACC-ENT	ACC-ENT-SMART-SYR	CEILING	SURFACE	+12'-0" AFF	
50	A-CELL BLOCK - DAY RM #15	FIXED DOME	INDOOR	4	-	15W POE	SMOKED	-	AVIGILON	4.0C-H5A-D1	HA-0P-SMOK1	-	-	-	-	-	ACC-ENT	ACC-ENT-SMART-SYR	WALL	SURFACE	+12'-0" AFF	
51	C-CELL BLOCK - DAY RM #23	FIXED DOME	INDOOR	4	-	15W POE	SMOKED	-	AVIGILON	4.0C-H5A-D1	HA-0P-SMOK1	-	-	-	-	-	ACC-ENT	ACC-ENT-SMART-SYR	WALL	SURFACE	+12'-0" AFF	
52	EAST MAINTENANCE OUTDOOR	3-SENSOR FIXED DOME	OUTDOOR	3x3	YES	60W POE++	CLEAR	-	AVIGILON	9C-H4A-3M-180	HA-MH-DO-COVR1	HA-MH-AD-PEND1 + IRTZMNT-WALL1 + HA-MT-POLE1	HA-MH-AD-IRL1	POE-IN2-60W-NA	-	-	ACC-ENT	ACC-ENT-SMART-SYR	LIGHT POLE	POLE MOUNT	+12'-0" AFF	
53	HOLDING CELL	CORNER ANTI-LIGATURE	INDOOR	3	YES	15W POE	-	-	AVIGILON	3.0C-H5A-CR1-RS-SS	-	-	-	-	-	-	ACC-ENT	ACC-ENT-SMART-SYR	CORNER	SURFACE	+12'-0" AFF	
54	HOLDING CELL	CORNER ANTI-LIGATURE	INDOOR	3	YES	15W POE	-	-	AVIGILON	3.0C-H5A-CR1-RS-SS	-	-	-	-	-	-	ACC-ENT	ACC-ENT-SMART-SYR	CORNER	SURFACE	+12'-0" AFF	
55	HOLDING CELL	CORNER ANTI-LIGATURE	INDOOR	3	YES	15W POE	-	-	AVIGILON	3.0C-H5A-CR1-RS-SS	-	-	-	-	-	-	ACC-ENT	ACC-ENT-SMART-SYR	CORNER	SURFACE	+12'-0" AFF	
56	F-CELL BLOCK - DAY RM #55	FIXED DOME	INDOOR	4	-	15W POE	SMOKED	-	AVIGILON	4.0C-H5A-D1	HA-0P-SMOK1	-	-	-	-	-	ACC-ENT	ACC-ENT-SMART-SYR	WALL	SURFACE	+12'-0" AFF	
57	HOLDING CELL	CORNER ANTI-LIGATURE	INDOOR	3	YES	15W POE	SMOKED	-	AVIGILON	3.0C-H5A-CR1-RS-SS	-	-	-	-	-	-	ACC-ENT	ACC-ENT-SMART-SYR	CORNER	SURFACE	+12'-0" AFF	
58	WEST REC YARD	FIXED DOME	OUTDOOR																			



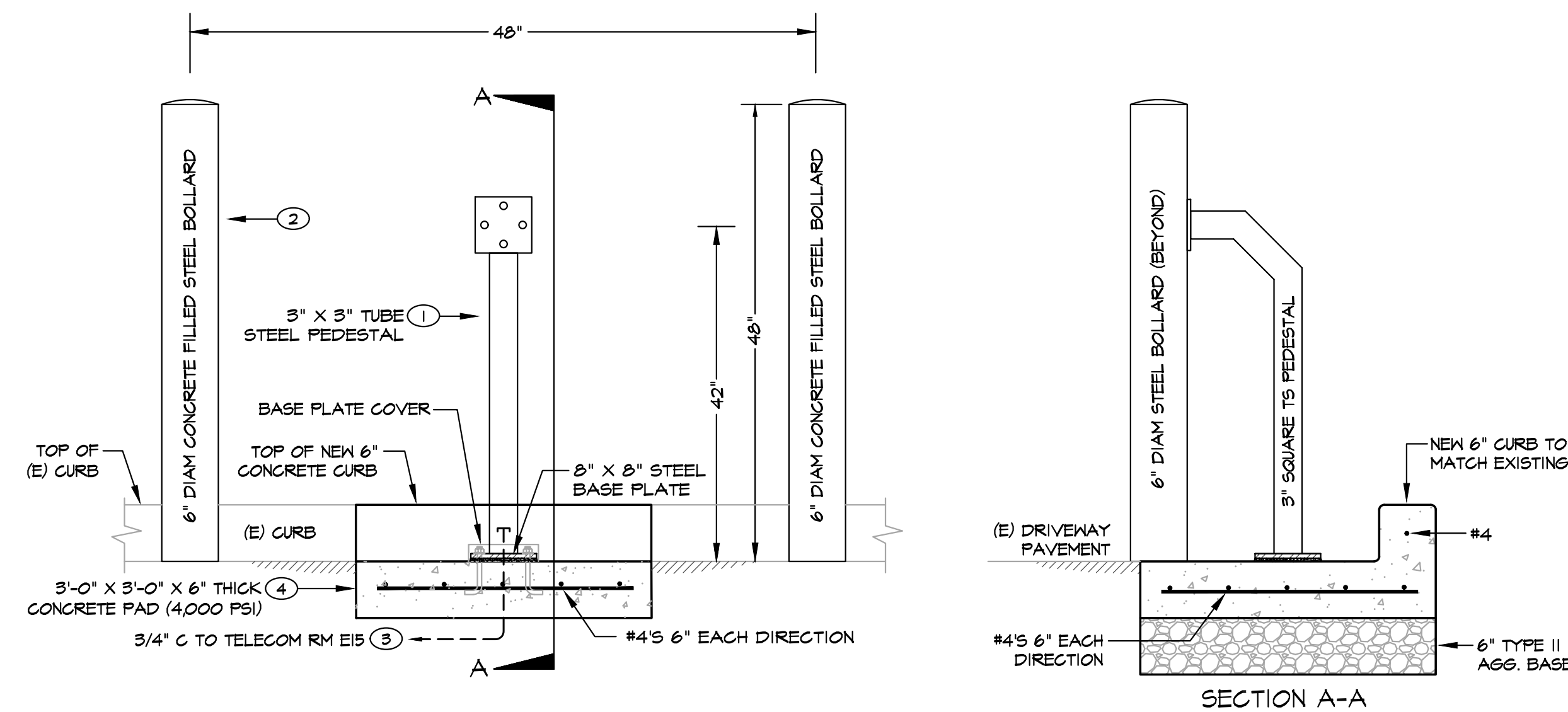
PK Electrical, Inc.
 Engineering - Design - Consulting
 681 Sierra Rose Drive, Suite B
 Reno, NV 89512
 775.826.9010
 4601 DTC Boulevard, Suite 740
 Denver, CO 80237
 720.481.3290
 pkelectrical.com

VIDEO SURVEILLANCE ONLINE SHEET NOTES

- 1 48-PORT CAT 6 PATCH PANEL (SEE B/TSO.6).
- 2 3'-0" CAT 6 PATCH CORD TO CROSS CONNECT CAMERAS AND NETWORK DROPS TO POE+ SWITCHES (SEE B/TSO.6). FURNISH QTY (1) 3'-0" PATCH CORD FOR EACH CAT 6 CAMERA AND DATA OUTLET CABLE DROP.
- 3 3 METER 10G SFP+ THINAX CABLE TO CONNECT NVR'S TO POE+ SWITCHES. SEE C/TSO.6.
- 4 24-PORT POE+ SWITCHES WITH REAR 10G STACKING CABLES. SEE TSO.2 FOR SWITCH AND STACKING CABLE SPECIFICATIONS. SEE B,C/TSO.6 FOR CABLING AND MOUNTING REQUIREMENTS.
- 5 NETWORK VIDEO RECORDERS (NVR'S). SEE TSO.2 FOR NVR SPECIFICATIONS. SEE B,C/TSO.6 FOR CABLING AND MOUNTING REQUIREMENTS.
- 6 PLENUM CAT 6 CABLE (CMP). WHERE CABLES ARE ROUTED IN UNDERGROUND OR UNDER SLAB DUCTS, PROVIDE RISER RATED INDOOR/OUTDOOR RATED CABLING (CMR/CMX).
- 7 TERMINATE CAT 6 CABLE AT CAMERAS ON CAT 6 FIELD MOUNT PLUG (OR CAT 6 JACK WITH PATCH CORD) AND CONNECT TO CAMERA.
- 8 FURNISH AND INSTALL IP VIDEO SURVEILLANCE CAMERA AND ASSOCIATED MOUNTS/RACEWAY. SEE TSO.2 FOR CAMERA AND MOUNT SPECIFICATIONS.
- 9 DOWNLOAD AND INSTALL THE LATEST FIRMWARE FROM THE MANUFACTURER'S WEBSITE ON ALL CAMERAS AT THE COMPLETION OF THE PROJECT.
- 10 UPS. SEE 6H/TSO.2 FOR REQUIREMENTS.
- 11 POE EXTENDER (VERACITY OUTREACH MAX). SEE CAMERA SCHEDULE FOR QUANTITY. EXTENDERS SHALL ONLY BE INSTALLED IF THE CABLE LENGTH EXCEEDS 295'-0". EXTENDERS SHALL BE INSTALLED NEAR THE MID-SPAN OF THE CABLE AT AN ACCESSIBLE LOCATION. CAT 6 CABLE SHALL BE TAGGED AT THE TERMINATION LOCATION IN THE TELECOM ROOM. TAG SHALL INDICATE THAT AN EXTENDER HAS BEEN INSTALLED AND SHALL PROVIDE THE MOUNTING LOCATION (ROOM NAME) OF THE EXTENDER.
- 12 CEILING MOUNTED 43" DIAGONAL FLAT PANEL DISPLAY. SEE TSO.2 FOR DISPLAY AND MOUNT SPECIFICATIONS.
- 13 CONTROL ROOM VIDEO VIEWING WORKSTATION. INSTALL HDMI CABLING FROM WORKSTATION TO CEILING MOUNTED FLAT PANEL DISPLAYS.
- 14 DESKTOP MOUNTED 24" DIAGONAL FLAT PANEL DISPLAY. SEE TSO.2 FOR DISPLAY SPECIFICATIONS.
- 15 CLIENT CAMERA VIEWING WORKSTATION (TYPICAL OF 6). COMPUTERS AND MONITORS PROVIDED BY OWNER. SEE PLANS FOR LOCATIONS. INSTALL AND CONFIGURE AVIGILON CLIENT SOFTWARE ON EACH COMPUTER.
- 16 INSTALL MICROSOFT "GARAGE MOUSE WITHOUT BORDERS" SOFTWARE ON WORKSTATION TO SPAN MOUSE AND KEYBOARD CONTROL ACROSS ALL (4) CONTROL ROOM VIDEO VIEWING WORKSTATIONS.



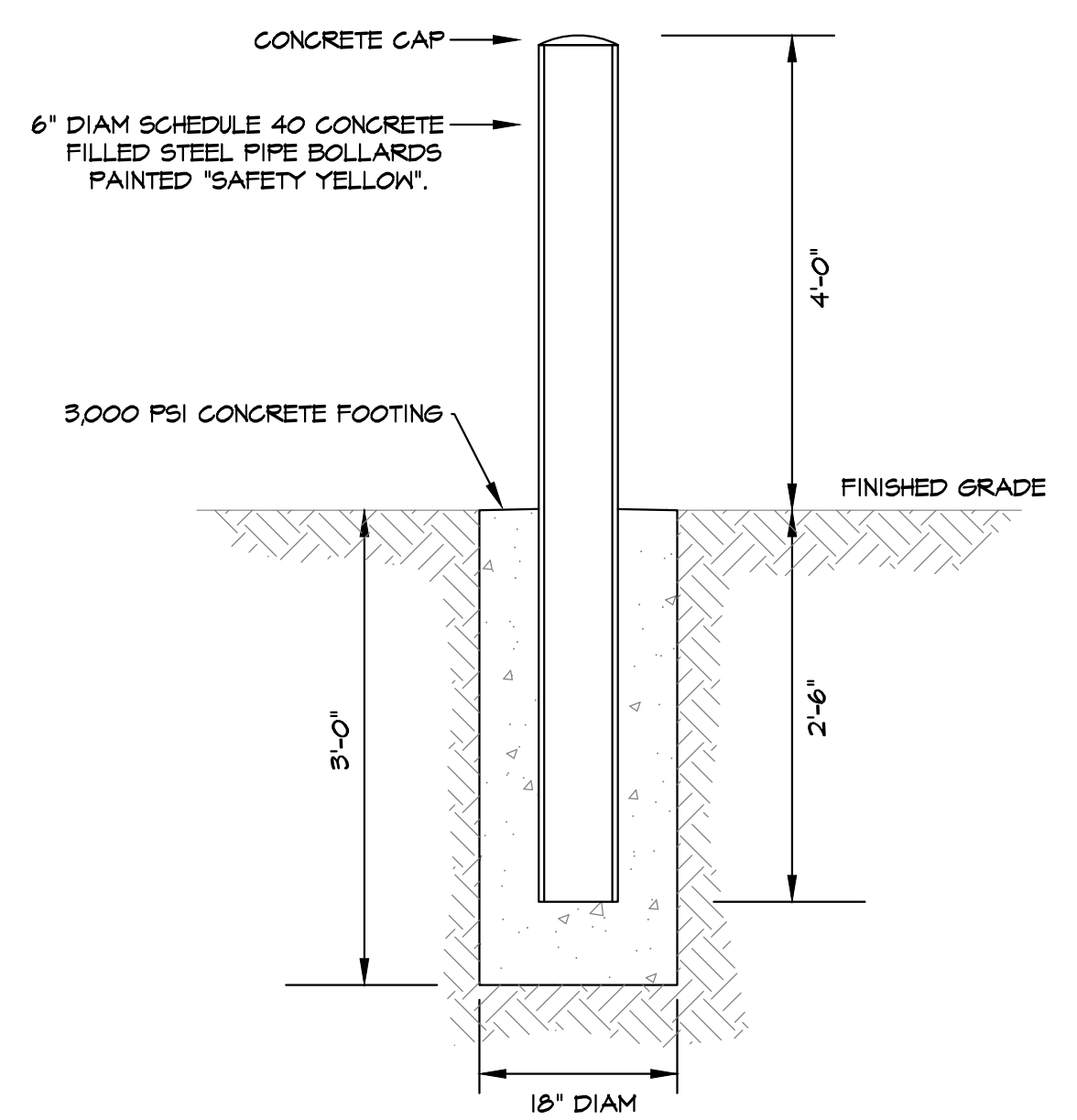
A VIDEO SURVEILLANCE SYSTEM ONLINE DIAGRAM
 TSO.3 SCALE: NONE



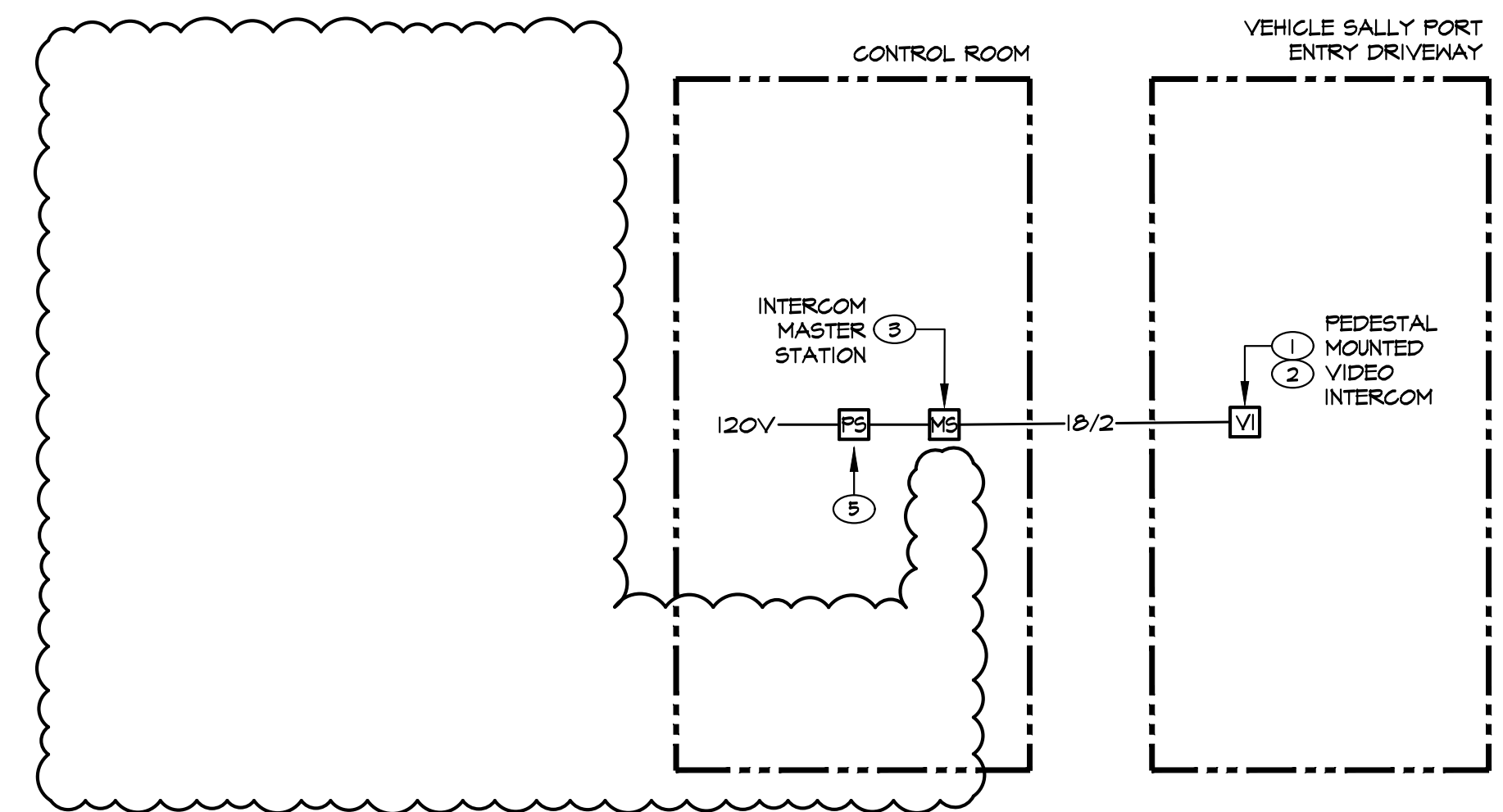
B VIDEO INTERCOM PEDESTAL DETAIL
 TSO.3 SCALE: NONE

VIDEO INTERCOM PEDESTAL NOTES

- 1 VIDEO INTERCOM PEDESTAL (PEDESTAL PRO 42-3-12).
- 2 6" DIAMETER CONCRETE FILLED SCHED 40 STEEL BOLLARD. SEE C/TSO.3 FOR BASE AND EMBEDMENT DEPTH. PAINT BOLLARDS SAFETY YELLOW.
- 3 INSTALL 3/4" UNDERGROUND CONDUIT FROM PEDESTAL TO ACCESSIBLE CEILING SPACE IN VEHICLE SALLY PORT. PROVIDE OUTDOOR RATED CABLE FROM PEDESTAL TO PULL BOX ON EXTERIOR BUILDING. SPLICE TO INDOOR CABLE FROM THAT POINT TO THE CONTROL ROOM.
- 4 4,000 PSI CONCRETE PAD AND 6" CURB. SAWCUT EXISTING CURB AND GUTTER TO ACCOMMODATE NEW CONCRETE PAD. CONTRACTOR TO COORDINATE CONCRETE PAD AND BOLLARD LOCATIONS WITH EXISTING CURB AND GUTTER.



C STEEL BOLLARD DETAILS
 TSO.3 SCALE: NONE



D VIDEO INTERCOM ONLINE
 TSO.3 SCALE: NONE

VIDEO INTERCOM SHEET NOTES

- 1 PEDESTAL MOUNTED VANDAL RESISTANT STAINLESS STEEL VIDEO INTERCOM STATION AT VEHICLE SALLY PORT ENTRANCE DRIVEWAY (AIPHONE P/N JP-DVF).
- 2 PROVIDE IP65 RATED SURFACE MOUNTED BACK FOR MOUNTING OF VIDEO INTERCOM TO READER PEDESTAL (AIPHONE SBX-DVF). SEAL ALL PENETRATIONS AND MAKE WATERTIGHT.
- 3 VIDEO INTERCOM MASTER STATION AT CONTROL ROOM (AIPHONE P/N JP-4MED).
- 4 NOT USED.
- 5 120VAC TO 24VDC POWER SUPPLY (AIPHONE P/N PS-2420UL).

Douglas County JLEC Camera Project
100% Owner Review
 1594 Esmeralda Ave
 Minden, NV 89423

REVISIONS
 ADDENDUM 1 - 12/3/21

SHEET TITLE
 VIDEO SURVEILLANCE SYSTEM ONLINE DIAGRAMS
 DRAWN: BC
 CHECKED: JEG
 DATE: 01/21/21
 JOB NUMBER: 21065
 PROJECT MGR: BC

TSO.3